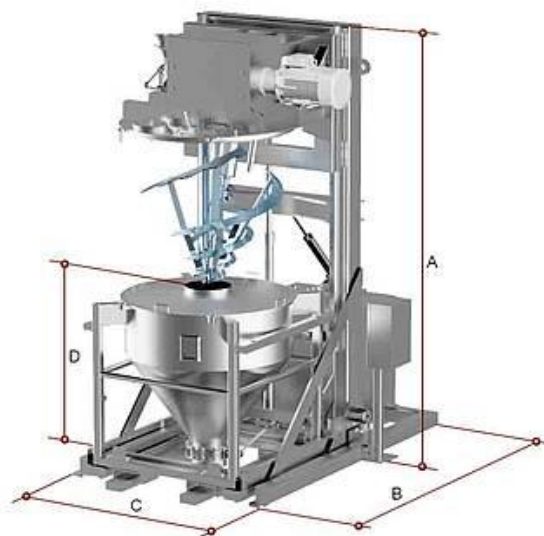


## Data sheet container mixer type COM

Containermixer		Approximate gross volume of the mixer	A	B	C	D	The rotational frequency can vary widely from about 0,8 m/s to about 3,5 m/s. Usually amixon® container mixers operate at low speed.  about		The drive power required can vary widely depending on the bulk density, flow characteristics, rotational frequency and the processing task (such as deagglomeration).		Weight may vary considerably depending on the size of the drive and the type of design. The additional dynamic loads are very low.
Type COM			height	width	broad	height Cont.					
The type designation is similar to the batch size in liters.  Ideal mixing quality even at low filling levels.			Approximate dimensions  Please ask for detailed dimension sheets!				from	to	from	to	
Liter = dm <sup>3</sup>	Feet <sup>3</sup>	Liter	mm				Rotation per Minute		kW		kg
100	3,5	132	2110	1570	1030	790	28	105	1	3	1250
200	7,1	263	2600	1900	1230	990	22	83	3	7	2100
300	10,6	394	3100	2150	1400	1130	19	73	4	12	2700
400	14,1	524	3350	2380	1500	1340	17	66	6	16	3200
500	17,7	654	3700	2600	1600	1330	16	61	7	20	3600
700	21,2	785	4150	2900	1750	1580	15	57	8	23	4300
800	28,3	1044	4300	3000	1820	1630	14	52	9	29	4600
1000	35,3	1304	4700	3200	1960	1740	13	48	11	35	5100
1500	53,0	1952	5200	3600	2200	2000	11	42	14	46	6300
1700	70,6	2599	5400	3750	2300	2100	10	38	16	56	6800
2000	88,3	3246	5800	4000	2400	2200	10	35	19	64	7200
3000	105,9	3891	6300	4500	2700	2400	9	33	21	72	8800
4000	141,3	5181	7000	4900	2900	2650	8	30	24	85	10000
<p>As a welding specialist, amixon® is qualified by European, Japanese and American authorities with regard to different materials. The materials in contact with the mixing goods are either mild steel S355J2Ge, Hardox, austenitic stainless steels 1.4301, 1.4541, 1.4571, 1.4404, 1.4539, 1.4529, Duplex stainless steels 1.4462, 1.4162, 1.4363, and Alloy 59-2.4605, Hastelloy C22 and nickel.</p> <p>The mixers meet the highest hygienic requirements and comply with the EHEDG guidelines for dry and wet cleaning regime. They also meet the FDA hygiene guidelines and the design requirements of 3-A Sanitary Standards.</p>											



amixon GmbH

Halberstaedter Strasse 55  
33106 Paderborn  
Germany

Telephone: [+49-5251-688888-0](tel:+49-5251-688888-0)  
Telefax: [+49-5251-688888-999](tel:+49-5251-688888-999)  
E-Mail: [sales@amixon.de](mailto:sales@amixon.de)