

Container mixer Type COM

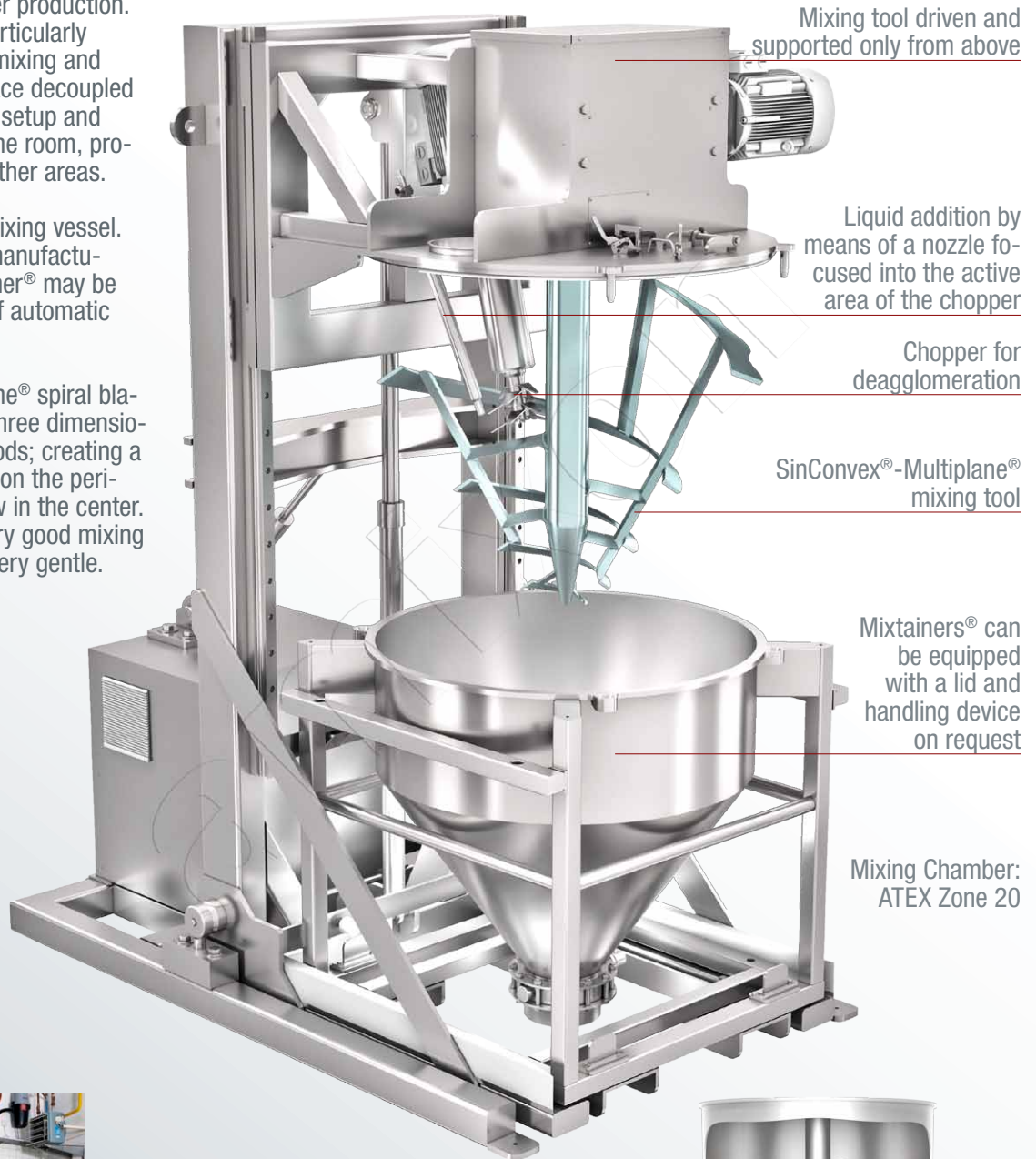
patented

Ideal mixing quality for dry and moist materials at variable filling levels

The COM container mixer is designed for flexible individual order production. The container mixer is particularly suitable if the weighing, mixing and filling steps each take place decoupled in separate rooms. While setup and cleaning takes place in one room, production can continue in other areas.

Mixtainers® serve as a mixing vessel. They are very precisely manufactured. A so-called Washtainer® may be docked for the purpose of automatic wet cleaning and drying.

The Sinconvex®-Multiplane® spiral blade (patented) initiates a three dimensional flow of the mixing goods; creating a spiral upward movement on the periphery and downward flow in the center. The machine provides very good mixing results; on request also very gentle.



Mixing tool driven and supported only from above

Liquid addition by means of a nozzle focused into the active area of the chopper

Chopper for deagglomeration

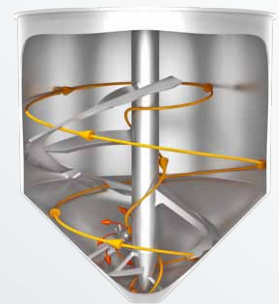
SinConvex®-Multiplane® mixing tool

Mixtainers® can be equipped with a lid and handling device on request

Mixing Chamber: ATEX Zone 20



COM for food flavourings



Three dimensional rearrangement achieves ideal mixing quality

COM-17109-2020 EN



LIFESCIENCE



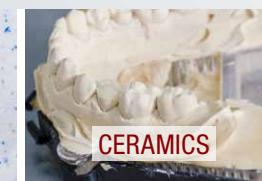
FOOD



ANIMAL CARE



DETERGENTS



CERAMICS



POLY

User Benefits

- ✓ The mixer guarantees ideal mixing qualities.
- ✓ The container functions as the mixing room; it is used for component dosing, for mixing and as a pre-device for the filling machine / for the extruder / for liquid preparation.
- ✓ Very well suitable for fully automatic production based on containers.
- ✓ Particularly well suitable for low-dust goods and easy handling.
- ✓ Comfortable and fast cleaning if recipes differ greatly
- ✓ Optionally, the container lid is handled automatically.

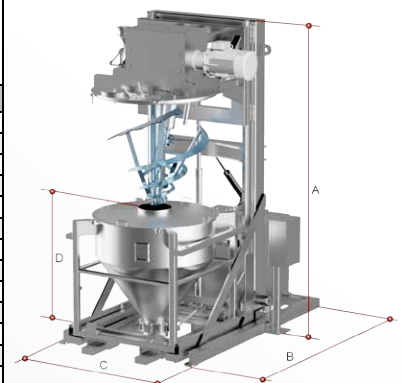
Piloting

amixon® places special importance on the pilot phase in the test centre. Your mixing processes are simulated here. This way, we support you in your product development phase. amixon® has a main test center in Paderborn (Germany). Further test centers are situated in Japan, Thailand, India and the USA.



Technical Data

Container mixer Type COM The type designation is similar to the batch size in liters. Ideal mixing quality even at low filling levels.	Approximate gross volume of the mixer	Approximate dimensions of the standard version. Please ask for detailed dimension sheets!				The rotational frequency can vary widely from about 0,8 m/s to about 3,5 m/s. Usually amixon® container mixers operate at low speed. about		The drive power required can vary widely depending on the bulk density, flow characteristics, rotational frequency and the processing task (such as deagglomeration).		Weight may vary considerably depending on the size of the drive and the type of design. The additional dynamic loads are very low.	
		A	B	C	D	from	to	from	to		
Liter = dm ³	Liter	mm				Rotation per minute		kW		kg	
100	132	2110	1570	1030	790	28	105	1	3	1250	
200	263	2600	1900	1230	990	22	83	3	7	2100	
300	394	3100	2150	1400	1130	19	73	4	12	2700	
400	524	3350	2380	1500	1340	17	66	6	16	3200	
500	654	3700	2600	1600	1330	16	61	7	20	3600	
700	785	4150	2900	1750	1580	15	57	8	23	4300	
800	1044	4300	3000	1820	1630	14	52	9	29	4600	
1000	1304	4700	3200	1960	1740	13	48	11	35	5100	
1500	1952	5200	3600	2200	2000	11	42	14	46	6300	
1700	2599	5400	3750	2300	2100	10	38	16	56	6800	
2000	3246	5800	4000	2400	2200	10	35	19	64	7200	
3000	3891	6300	4500	2700	2400	9	33	21	72	8800	
4000	5181	7000	4900	2900	2650	8	30	24	85	10000	



- As a welding specialist, amixon® is qualified by European, Japanese and American authorities with regard to different materials. The materials in contact with the mixing goods are either mild steel S355J2Ge, Hardox, austenitic stainless steels 1.4301, 1.4541, 1.4571, 1.4404, 1.4539, 1.4529, Duplex stainless steels 1.4462, 1.4162, 1.4363, and Alloy 59-2.4605, Hastelloy C22 and nickel.
- The mixers meet the highest hygienic requirements and comply with the EHEDG guidelines for dry and wet cleaning regime. They also meet the FDA hygiene guidelines and the design requirements of 3-A Sanitary Standards.



amixon GmbH
Halberstädter Straße 55
33106 Paderborn
Germany

Tel. +49 (0) 52 51 / 68 88 88-0
Fax +49 (0) 52 51 / 68 88 88-999
E-Mail sales@amixon.com
www.amixon.com



amixon® manufactures high precision mixers, vacuum mix-dryers, synthesis reactors and granulators with maximum fabrication depth. All components of the amixon®-mixers are made in Germany. The production of the machines takes place exclusively in the amixon®-factory in Paderborn, Germany.

© by amixon GmbH, Paderborn. Reprinting or transfer to electronic media only permitted after written approval. We reserve the right to make changes due to progress in process engineering and manufacturing technology.