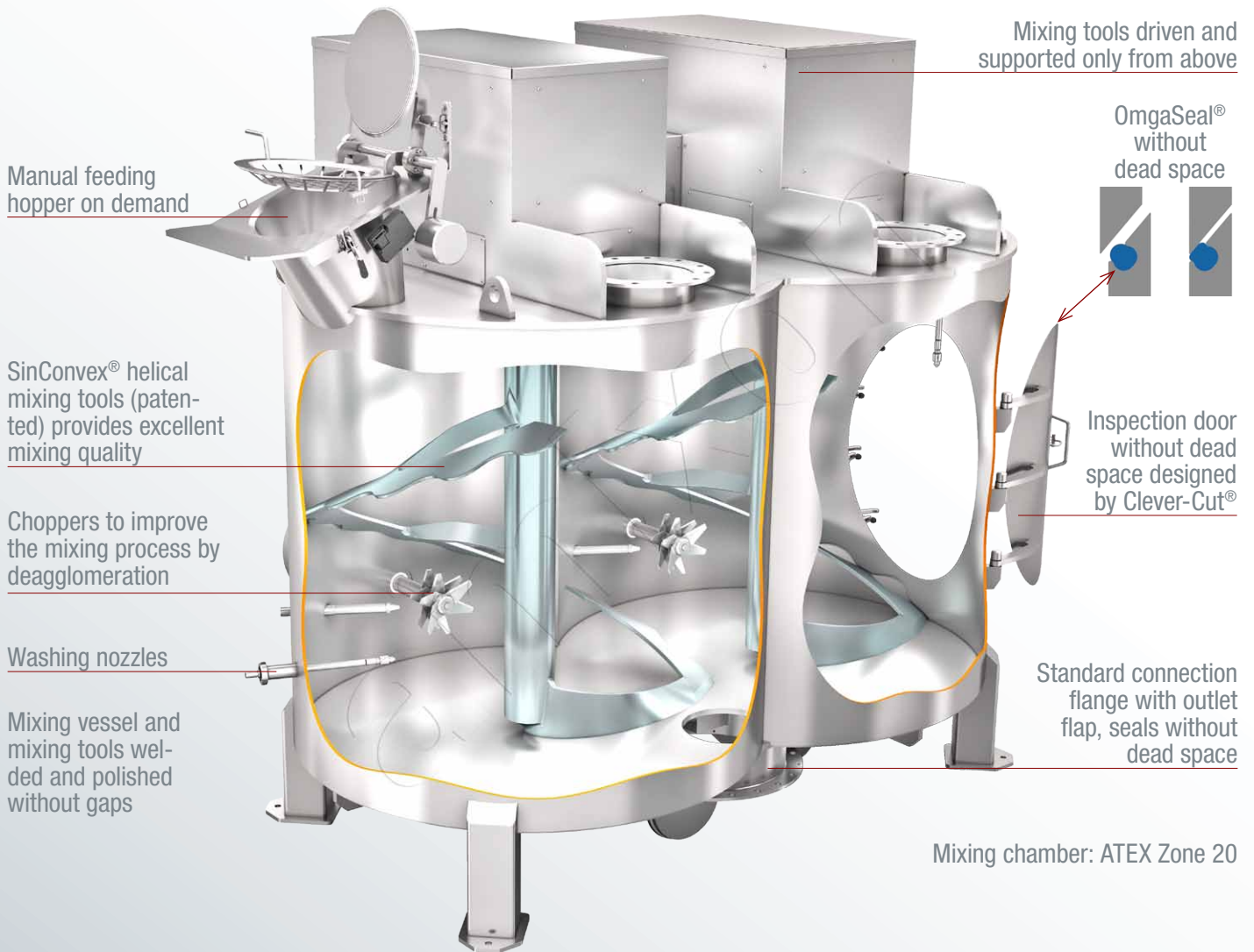


Vertical twin-shaft mixer Type HM

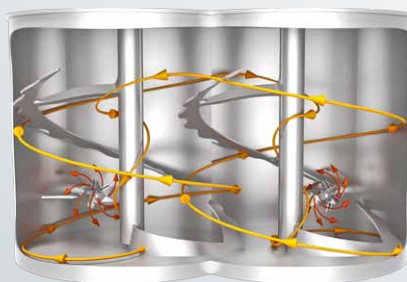
patented

The best mixing quality for dry, moist and viscous materials at variable filling levels in a very gentle process

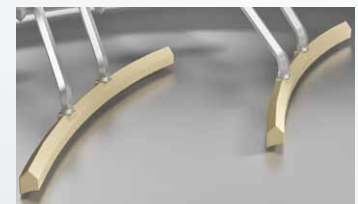
The mixer can be designed to conform to FDA-standards to be used as a sterile mixer and reactor which also meets EHEDG requirements and the 3-A Sanitary Standards.



HM 3000 for food stabilizers

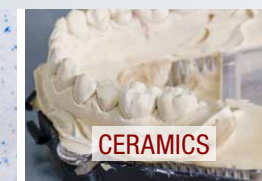


Total homogenization by three-dimensional rearrangement



ComDisc® (patented) for complete discharge: During the final phase of the discharging, they sweep the ground. Thus, the last remnants are discharged without segregation.

HM-1-7001-2020 EN



User Benefits

- ✓ This precision mixer is universally applicable.
- ✓ The mixing quality can not be exceeded.
- ✓ The energy input and the mixing time are minimal.
- ✓ Mixing tool driven and supported only from above. Everything is fully welded and polished without gaps.
- ✓ The inspection door is especially hygienic - manufactured according to the Clever-Cut® process with OmegaSeal® seal - and seals permanently free of dead space. On request also vacuum-tight or against overpressure.
- ✓ Automatic wet cleaning devices are available on request.

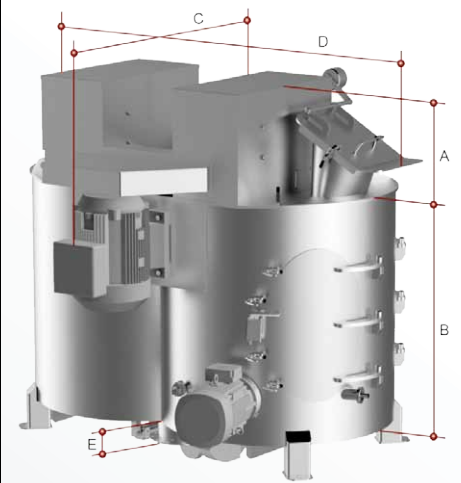
Piloting

amixon® places special importance on the pilot phase in the test centre. Your mixing processes are simulated here. This way, we support you in your product development phase. amixon® has a main test center in Paderborn (Germany). Further test centers are situated in Japan, Thailand, India and the USA.



Technical Data

Vertical twin-shaft mixer Type HM The type designation is equal to the batch size in liters. Ideal mixing even at low filling levels.	Approximate gross volume of the mixer	Approximate dimensions of the standard version. Please ask for detailed dimension sheets!					The rotational frequency can vary widely from about 0,8 m/s to about 3,5 m/s. Usually vertical twin-shaft-mixers operate at low speed. about		The drive power required can vary widely depending on the bulk density, flow characteristics, rotational frequency and the processing task (such as deagglomeration).		Weight may vary considerably depending on the size of the drive and the type of design. The additional dynamic loads are very low.
		A	B	C	D	E	from	to	from	to	
		Liter = dm³	Liter	mm	mm	mm	mm	mm	Rotation per Minute	kW	
100	130	300	480	800	825	145	34	114	1	5	900
200	270	350	580	1000	1000	145	27	91	3	11	1000
400	530	420	745	1200	1250	145	21	71	6	25	1300
500	660	450	870	1550	1000	145	19	66	8	31	1040
600	790	450	840	1300	1450	145	18	62	10	36	1600
800	1050	450	900	1350	1550	145	17	58	13	47	2000
1000	1310	550	1000	1500	1700	145	16	54	16	56	3000
1500	1950	550	1000	1600	1900	145	14	46	20	72	3500
2000	2600	600	1260	1850	2150	145	12	41	24	85	4500
2500	3250	600	1220	2000	2450	145	11	39	29	101	5800
3000	3890	600	1420	2000	2450	145	11	37	33	114	6200
4000	5180	700	1560	2300	2700	145	10	33	38	133	6500
5000	6470	750	1670	2400	2900	145	9	32	46	160	6800
6000	7760	750	1800	2600	3100	145	9	30	51	177	8000
7000	9040	800	1880	2700	3200	145	8	28	55	190	8500
8000	10330	800	1850	2800	3400	145	8	26	57	198	9500
10000	12890	900	2100	3000	3600	145	7	25	68	234	11000
12000	15460	900	2100	3100	3900	145	7	23	73	252	13000
15000	19300	900	2200	3200	4400	145	6	21	82	281	18000
20000	25700	900	2600	3800	5600	145	6	20	101	346	32000



- Usually the vessel dimensions are relatively cubic, so that the height of the cylinder corresponds to the diameter. If desired, amixon® can modify the proportions: "low profile" if the height is limited or "slim profile" if the available ground area is limited.
- As a welding specialist, amixon® is qualified by European, Japanese and American authorities with regard to different materials. The materials in contact with the mixing goods are either mild steel S355J2Ge, Hardox, austenitic stainless steels 1.4301, 1.4541, 1.4571, 1.4404, 1.4539, 1.4529, Duplex stainless steels 1.4462, 1.4162, 1.4363, and Alloy 59-2.4605, Hastelloy C22 and nickel.
- The mixers meet the highest hygienic requirements and comply with the EHEDG guidelines for dry and wet cleaning. The mixers also meet the FDA hygiene guidelines and the design requirements of 3-A Sanitary Standards.



amixon GmbH
Halberstädter Straße 55
33106 Paderborn
Germany

Tel. +49 (0) 52 51 / 68 88 88-0
Fax +49 (0) 52 51 / 68 88 88-999
E-Mail sales@amixon.com
www.amixon.com



amixon® manufactures high precision mixers, vacuum mix-dryers, synthesis reactors and granulators with maximum fabrication depth. All components of the amixon®-mixers are made in Germany. The production of the machines takes place exclusively in the amixon®-factory in Paderborn, Germany.

© by amixon GmbH, Paderborn. Reprinting or transfer to electronic media only permitted after written approval. We reserve the right to make changes due to progress in process engineering and manufacturing technology.