

## Data sheet conical mixer / vertical cone mixer and powder blender type AM

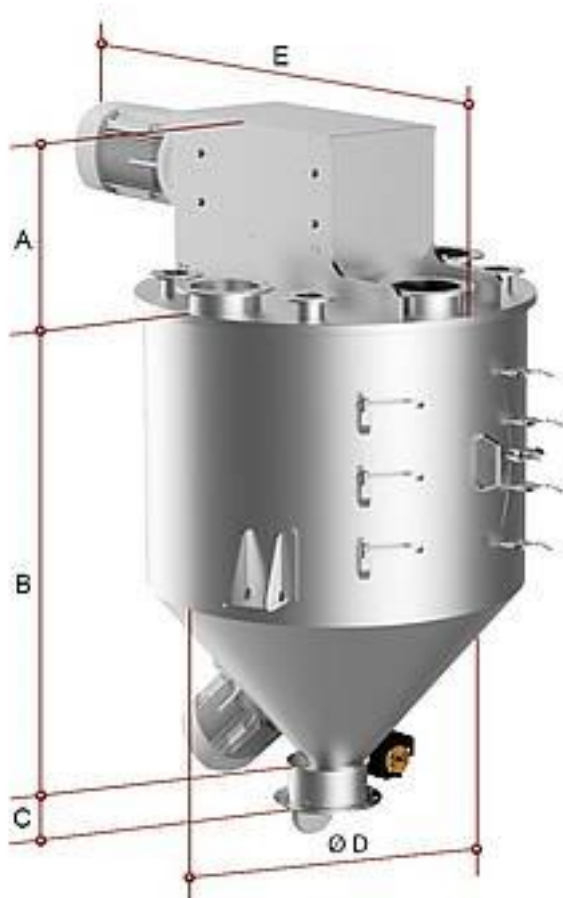
<p>Conical mixer Type AM</p> <p>The type designation is equal to the batch size in liters.</p> <p>Ideal mixing even at low filling levels.</p> <p>Intermediate sizes are available in 100 liter steps.</p>		Approximate gross volume of the mixer	A	B	C	D	E	The rotational frequency can vary widely from about 0,8 m/s to about 3,5 m/s.		The drive power required can vary widely depending on the bulk density, flow characteristics, rotational frequency and the processing task (such as deagglomeration).		Weight may vary considerably depending on the size of the drive and the type of design. The additional dynamic loads are very low.		
			Approximate dimensions of the standard version. Please ask for detailed dimension sheets!					Usually amixon® conical mixers operate at low speed.  about		from	to		from	to
			Liter = dm <sup>3</sup>	Feet <sup>3</sup>	Liter	mm	mm	mm	mm	mm	Rotation per Minute		kW	
100	3,5	130	360	712	157	620	1100	28	105	1	3	730		
200	7,1	260	430	912	157	770	1350	22	83	3	7	890		
300	10,6	390	420	1119	157	770	1350	19	73	4	12	890		
400	14,1	520	410	1119	157	900	1550	17	66	6	16	1040		
500	17,7	650	420	1112	157	1020	1575	16	61	7	20	1350		
600	21,2	780	430	1305	157	1020	1600	15	57	8	23	1560		
800	28,3	1040	410	1375	157	1200	1870	14	52	9	29	1870		
1000	35,3	1300	530	1575	157	1200	1900	13	48	11	35	2080		
1500	53,0	1950	750	1785	157	1370	2200	11	42	14	46	3330		
2000	70,6	2600	780	1960	157	1510	2250	10	38	16	56	3600		
2500	88,3	3250	790	2070	165	1730	2700	10	35	19	64	3850		
3000	105,9	3890	800	2310	157	1730	2650	9	33	21	72	4370		
4000	141,3	5180	810	2440	157	1890	2400	8	30	24	85	5540		
5000	176,6	6470	810	2380	157	2030	2600	8	28	28	97	7590		
6000	211,9	7760	810	2670	157	2170	2650	7	26	31	108	8130		
7000	247,2	9040	880	2860	157	2424	2900	7	25	33	118	8840		
8000	282,5	10330	950	3088	157	2424	3200	6	24	36	128	9880		
9000	317,8	11610	950	3230	157	2824	3600	6	23	38	136	10400		
10000	353,1	12890	950	3200	157	2824	3820	6	22	41	145	11440		
12000	423,8	15460	1000	3500	157	2824	3820	6	21	45	160	13520		
15000	529,7	19300	1100	3825	157	2824	3820	5	19	51	181	15600		
Bigger mixers up to 50 m <sup>3</sup> are available on demand!														
Usually the vessel dimensions are relatively cubic. If desired, amixon® can modify the proportions: "low profile" if the height is limited or "slim profile" if the available ground area is limited.														
As a welding specialist, amixon® is qualified by European, Japanese and American authorities with regard to different materials. The materials in contact with the mixing goods are either mild steel S355J2Ge, Hardox, austenitic stainless steels 1.4301, 1.4541, 1.4571, 1.4404, 1.4539, 1.4529, Duplex stainless steels 1.4462, 1.4162, 1.4363 and Alloy 59-2.4605, Hastelloy C22 and nickel.														
The mixers meet the highest hygienic requirements and comply with the EHEDG guidelines for dry and wet cleaning regime. They also meet the FDA hygiene guidelines and the design requirements of 3-A Sanitary Standards.														

Image is on page 2

amixon GmbH

Halberstaedter Strasse 55  
33106 Paderborn  
Germany

Telephone: [+49-5251-688888-0](tel:+49-5251-688888-0)  
Telefax: [+49-5251-688888-999](tel:+49-5251-688888-999)  
E-Mail: [sales@amixon.de](mailto:sales@amixon.de)



**amixon GmbH**

Halberstaedter Strasse 55  
33106 Paderborn  
Germany

Telephone: [+49-5251-688888-0](tel:+49-5251-688888-0)  
Telefax: [+49-5251-688888-999](tel:+49-5251-688888-999)  
E-Mail: [sales@amixon.de](mailto:sales@amixon.de)