

KoneSlid® - mixer Type KS

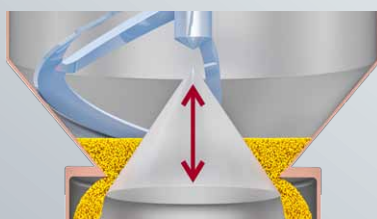
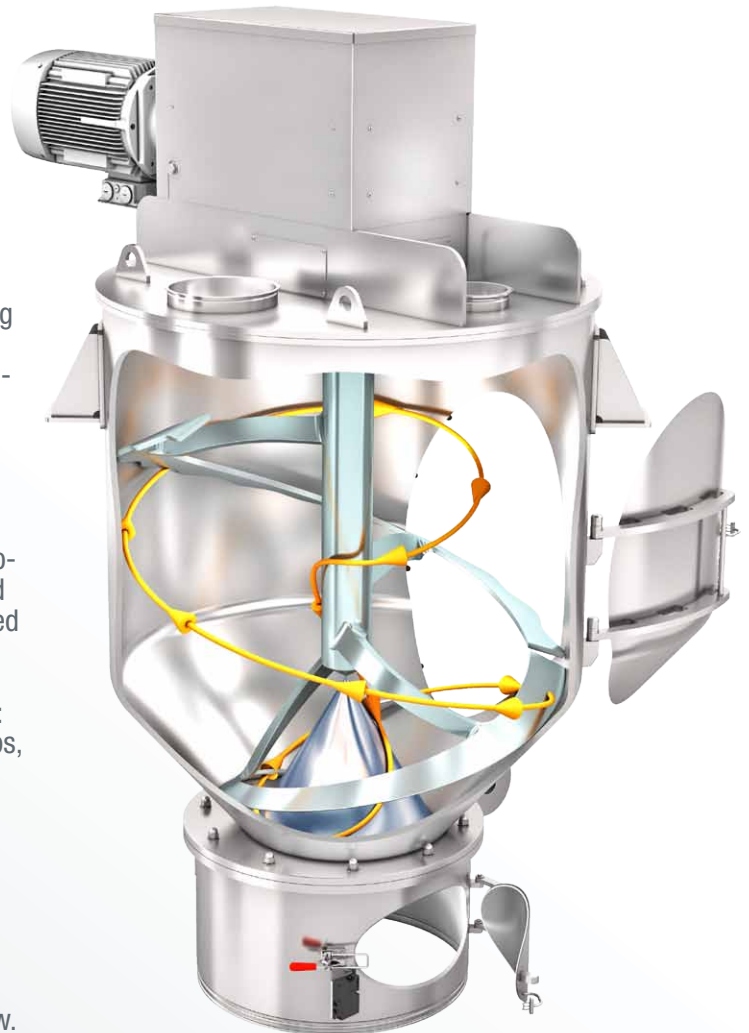
- ✓ Optimum mixing qualities
- ✓ Low rotational speed
- ✓ Particularly short mixing time
- ✓ Very fast discharge up to 99,98%
- ✓ Excellent accessibility
- ✓ Mixing chamber: ATEX Zone 20

... these are the characteristics of this new mixing system. The mixture is moved upwards at the periphery of the mixing chamber and flows downwards in the centre. As it flows downwards, the product stream is conducted to the periphery by a conical mixing element. After about four revolutions the entire volume has already been completely shifted once by the mixing tool. The ideal mixing quality is achieved after approximately 20 to 30 revolutions.

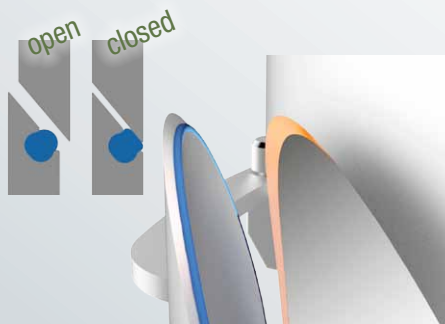
The input of energy is very low; to that extent the mixing process is particularly gentle. As a rule, the particle shapes and sizes remain unchanged. The KoneSlid® mixer was developed particularly for goods such as those that result from spray drying, fluidised bed granulation or belt drying; the particles can be of various sizes and fragile. Examples of this include: instant beverage powders, dry milk derivatives, instant soups, muesli, flavoured and unflavoured tea, deep-frozen foods, tablet masses and metallic powders. The KoneSlid® mixer is suitable for all kinds of dry, moist and even suspended powders.

Even faster than the mixing process is the discharge, which takes place by means of the closing system moving downwards. The mixture flows out within a few seconds. Usually, no conical piles are formed in the container positioned below. The mixture is completely discharged, apart from minimal dust residues. The large inspection doors are particularly advantageous. They allow comfortable cleaning and inspection. All parts of the mixer are accessible for manual dry cleaning.

Please visit us in Paderborn. amixon® cordially invites you to take part in mixing tests and assures you optimum results in advance!



Virtually complete discharge in a few seconds



OmegaSeal® designed by Clever-Cut®



Type KS 400 with 2 Clever-Cut® designed inspection doors

KS-1-7003-2022 EN



LIFESCIENCE



FOOD



ANIMAL CARE



DETERGENTS

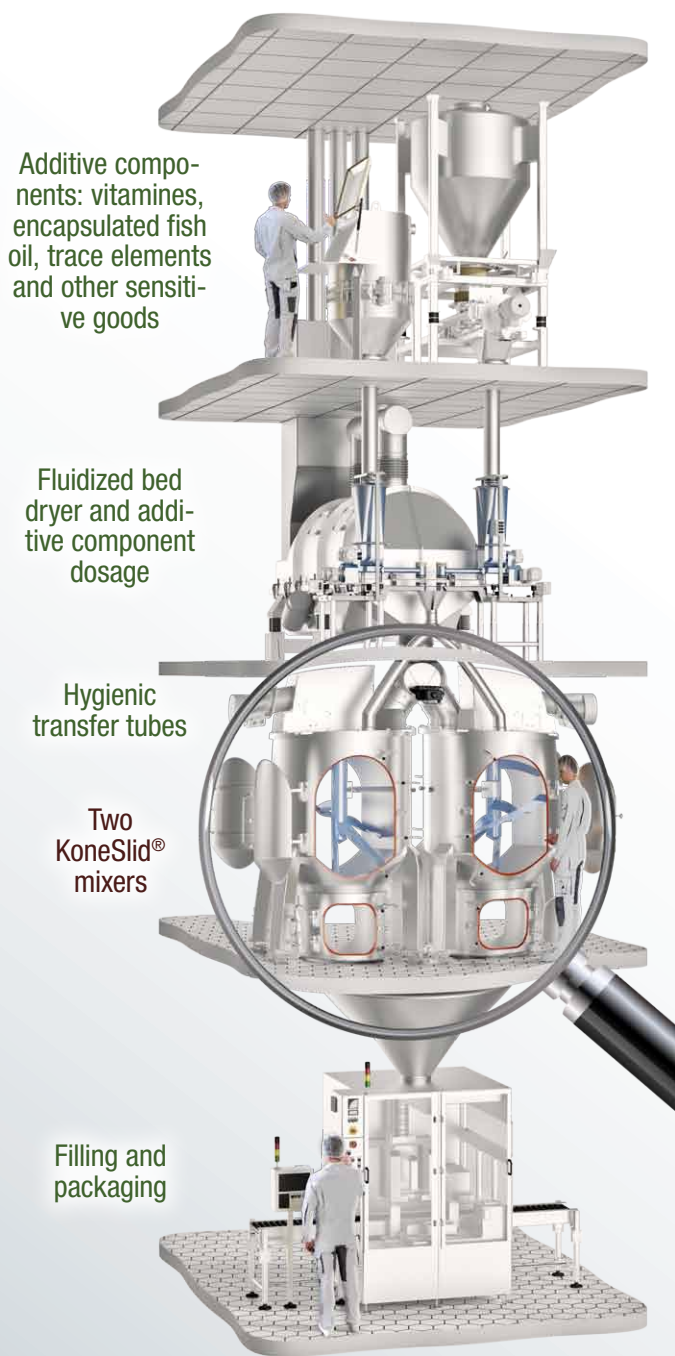


CERAMICS



POLY

End-of-the-line mixing plants



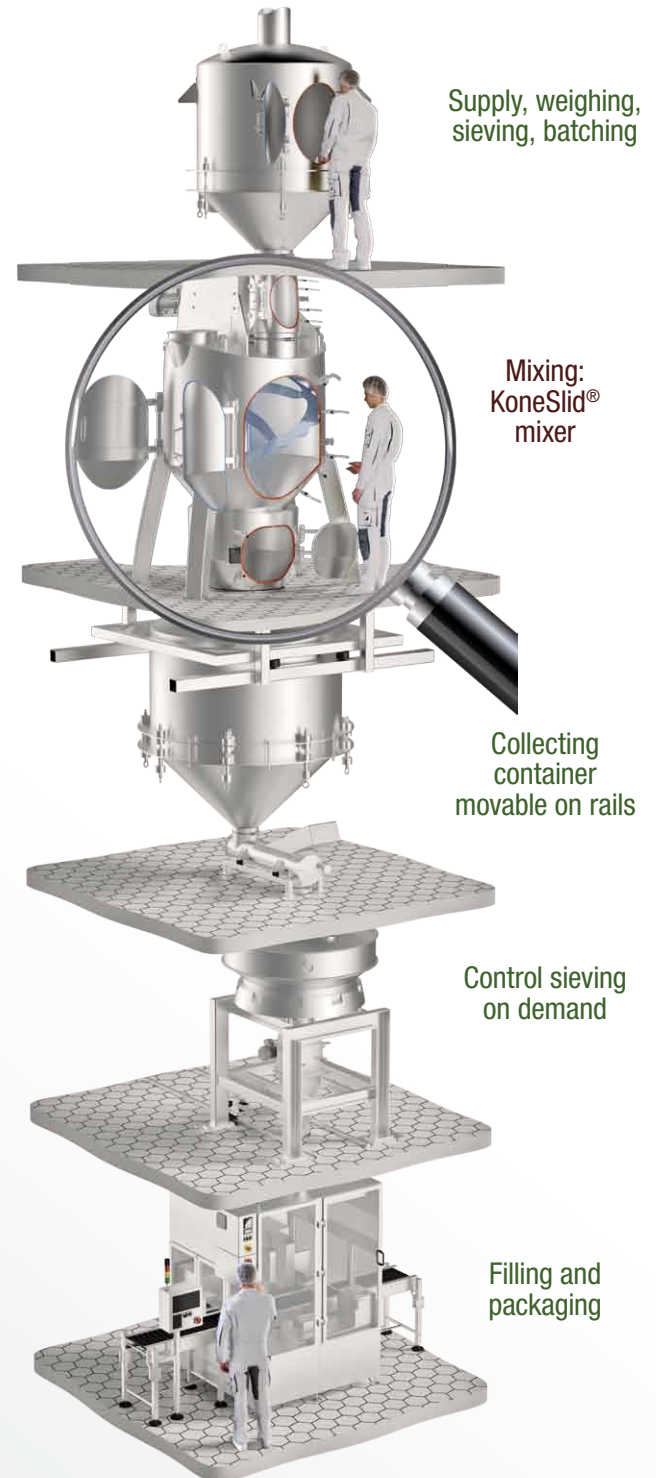
Additive components: vitamins, encapsulated fish oil, trace elements and other sensitive goods

Fluidized bed dryer and additive component dosage

Hygienic transfer tubes

Two KoneSlid® mixers

Filling and packaging



Supply, weighing, sieving, batching

Mixing: KoneSlid® mixer

Collecting container movable on rails

Control sieving on demand

Filling and packaging

The end-of-the-line plants illustrated here in simplified form show a particularly hygienic variant for the manufacture of dietary foods. amixon® only manufactures the mixers. The components with green captions are not part of our product range.

amixon GmbH
Halberstädter Straße 55
33106 Paderborn
Germany
+49 (0) 52 51 / 68 88 88-0
sales@amixon.com
www.amixon.com

User benefits:

- ✓ Ideal mixing quality at low energy input
- ✓ Varying filling degrees from about 10 to 100% of the type designation
- ✓ Cleaning: comfortable, safe, ideally ergonomic, wet or dry, manual or automatic
- ✓ Mixer available, if desired, with several Clever-Cut® inspection doors.
- ✓ Virtually complete discharging in a few seconds, without conical piles in the bin / container underneath, without segregation.
- ✓ If desired, vacuum can be applied during mixing. The mix can be inertized to enhance shelf life.
- ✓ amixon® has test mixers for mixing trials available.

amixon® manufactures high precision mixers, vacuum mix-dryers, synthesis reactors and granulators with maximum fabrication depth. All components of the amixon®-mixers are made in Germany. The production of the machines takes place exclusively in the amixon®-factory in Paderborn, Germany.

© by amixon GmbH, Paderborn. Reprinting or transfer to electronic media only permitted after written approval. We reserve the right to make changes due to progress in process engineering and manufacturing technology.